



ACCESS CONTROL

REQUEST TO EXIT BUTTON 460 SERIES



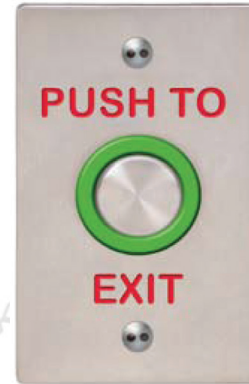
1

DESCRIPTION

The **SDC 460 Series** is a heavy duty, vandal-resistant exit switch designed for harsh indoor or outdoor environments. The stainless steel piezoelectric technology is also ideal for high traffic applications. The switch assembly design ensures superior performance in virtually any environment.

FEATURES

- *Vandal-resistant stainless steel piezoelectric button and faceplate*
- *No moving parts*
- *Billion cycle button technology*
- *Bi-color status indicator, red and green*
- *Integrated timer, adj. 1-40 seconds*



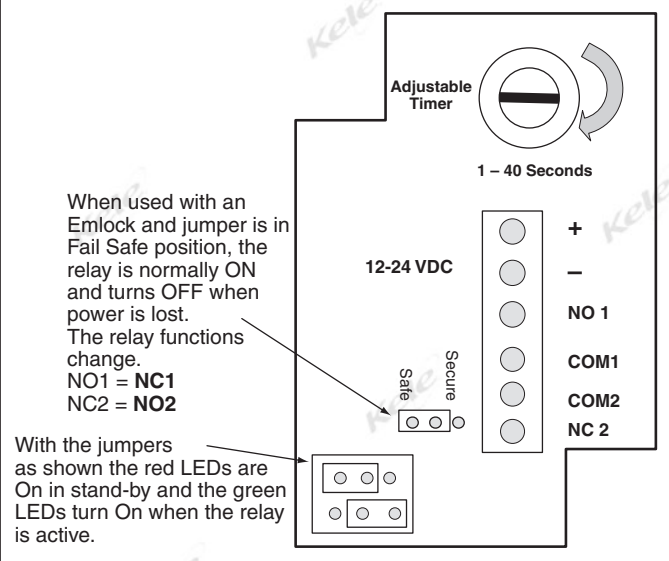
460U

ACCESS CONTROL

SPECIFICATIONS

Supply Voltage	12/24 VDC
Supply Current	
LED On	Idle-60mA Active-120mA
LED Off	Idle-10mA, Active-60mA
Contact Rating	1 N.O., 1 N.C., 2 Amp @ 30VDC
Timer	1 - 40 seconds
Operating Temperature	-40° to 160° F (-40° to 70° C)
Dimensions	
1 Gang Box	2.87" x 4.5" (7.3 x 11.4 cm)
Narrow Box	1.75" x 4.5" (4.5 x 11.4 cm)
Weight	0.5 lb (0.22 kg)
Warranty	1 year

WIRING



ORDERING INFORMATION

MODEL	DESCRIPTION
460U	Single-gang, timer, NO/NC contact, push to exit
460NU	Narrow-gang, timer, NO/NC contact, exit